



PART Nr. / NUMERO DE PARTE: 1LE22252CB116AA3

TYPE / TIPO: GP100

PHASE / FASES: 3

CONNECTION / CONECCIÓN: $\Delta\Delta\text{-}\Delta$

ABB										
TIPO:	GP100	No. PARTE:	1LE22252CB116AA3	284T	IP 54	3PH	TCVE	NEMA B		
BALEROS			No. SERIE:				SERVICIO CONTINUO			
L. EJE	6310 Z C3		AI SL. CLASE:	F	L. COD. KVA:	G	PESO:	202 kg		
L. VENT	6210 ZZ C3		TEMP. AMB.:	40°C	INC. TEMP:	90°C @ F.S. 1.0		EFICIENCIA		
CP	kW	min ⁻¹	V	A	Hz	F.S.	A.F.S.	η nom %	η min %	
25	18.65	1 775	230/460	60.0/30.0	60	1.15	69.0/34.5	93.6	93	
CONEXIÓN										
COMPATIBLE USO VDF A 1.0 F.S. 20:1 T.V., 4:1 T.C.			Bajo Voltaje			Alto Voltaje			LUBRICAR SEGUN INSTRUCTIVO NOM-016-ENER-2016	
Hecho en México por ABB NEMA MOTORS										

**Actual nameplate will include certification marks for ex: UR, DOE, CE, CSA, NEMA PREMIUM, etc.

**La placa de datos del motor incluye logos de certificación, por ejemplo: UR, DOE, CE, CSA, NEMA PREMIUM, etc.



Part Nr. 1LE22252CB116AA3

Data sheet for three-phase Squirrel-Cage-Motors / Hoja de datos de Motores Trifásicos Jaula de Ardilla

U [V]	Δ / Y	f [Hz]	P [HP]	P [kW]	n [rpm]	I Load [Amps]					Nom. Eff Load [%]			Pwr. Factor Load [%]			Torque [lb-ft]	T _A /T _N LRT [%]	T _K /T _N BDT [%]
						4/4	3/4	1/2	0	LRC	4/4	3/4	1/2	4/4	3/4	1/2			
230/460	ΔΔ / Δ	60.0	25.0	18.7	1 775	60/30	46.7/23.4	35.3/17.7	22/11	366/183	93.6	94.0	93.5	84.0	80.0	71.0	74.0	180.0	250.0
Frame 284T		Type of constr.: FOOT MOUNTED			SERVICIO CONTINUO		AISL.CLASE: F		WHITOUT WINDING PROTECTION			NEMA B		F.S. 1.15					
Mtr WT: 202 kg		Mounting: MOUNTING - F 1 & W-6 FOR VERTICAL MOTORS P-BASE			INC.TEMP: 90°C @ F.S. 1.0			TEMP. AMB.: 40°C			L.COD.K VA: G		IP 54						

Mechanical data / Datos Mecánicos

WK2

Rotor Moment of Inertia: 4.36 lb-ft²

Ext Load Inertia Capability: 122 lb-ft²

Safe Stall Time

Hot: 24 Sec

Cold: 44 Sec

Typical Noise Data

A-weighted Sound

Sound Pressure: 65 dB(A)

Sound Power: 76 dB(A)

Octave Band Center Frequencies Hertz: This values are for the standard bearing configuration.

	250	500	1000	2000	4000	8000	Hz
SPL@3 feet	51	55	55	62	59	51	dB(A)

Bearings / Baleros

	DE	NDE
Bearing size:	6310 Z C3	6210 ZZ C3

Ventilation Type / Tipo de Ventilación

Type of Cooling: TCVE Fan Material: Polypropylen ESD

Fan Rotation: Bidirectional

Grease / Grasa

Type: Mobil Polyrex

Thickener: Polyurea (Standard)

Frame / Armazón

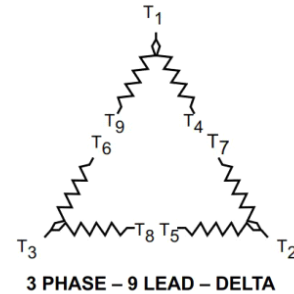
Frame material: Cast Iron

Coating (paint finish): Standard Alkyed + Epoxy (C2)

Color, paint shade: Dark Charcoal Gray Metallic

Terminal box / Caja de Terminales

Terminal box position: Conduit Box (Entry from feet)



VOLTS	LINES			CONNECTED TOGETHER	CONN.
	L1	L2	L3		
LOW	T ₁ T ₆ T ₇	T ₂ T ₄ T ₈	T ₃ T ₅ T ₉		ΔΔ
HIGH	T ₁	T ₂	T ₃	T ₄ T ₇ - T ₅ T ₈ - T ₆ T ₉	Δ

Wiring diagram

Additional information.

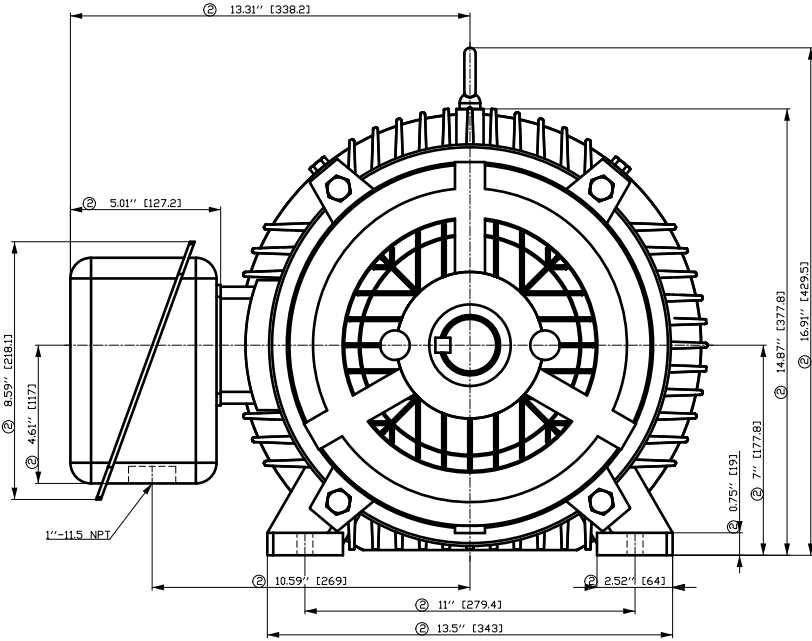
VFD Operation (V.T.) :	20:1
VFD Operation (C.T.) :	4:1
Area Classification:	--
Hazardouz Classification:	--
Hazardouz Classification:	--
Temp. Code:	--

刀线密
用转为
文全
积

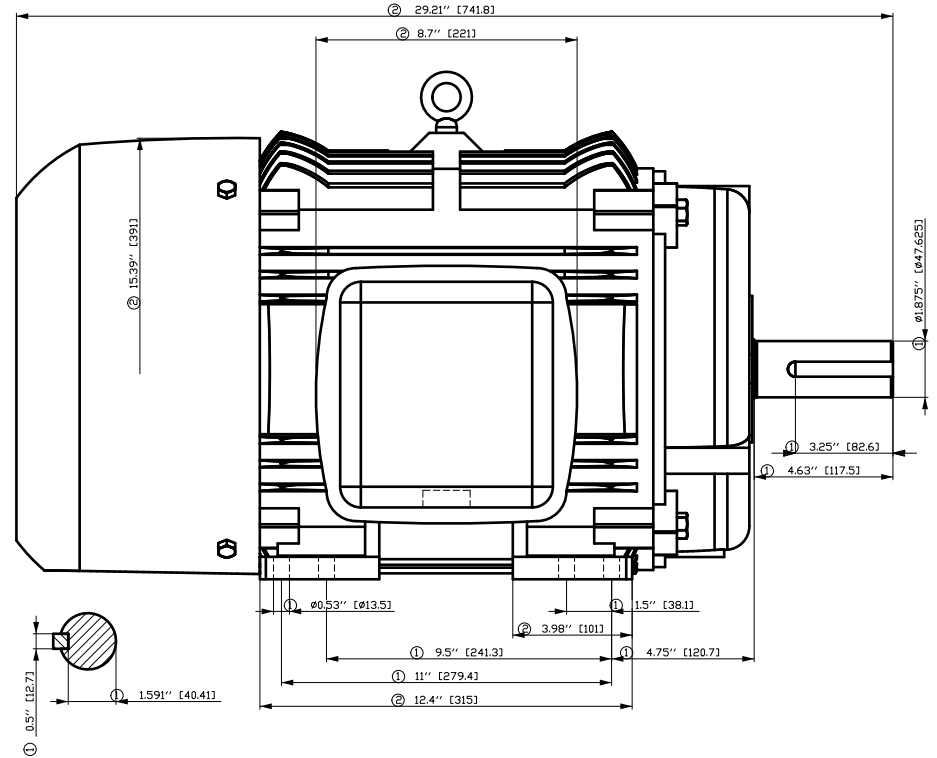
Through its products, ABB is not responsible for the content of this document as well as the utilization of its contents and communication thereof. ABB does not warrant, without express authorization, that the information contained herein is accurate, complete, or for payment of damages. All rights created by patent, grant or registration for a utility model or design patent are reserved.

Wir übernehmen keine Haftung für den Inhalt dieser technischen Zeichnungen, die als Dokumente, Verwertungen, Mitteilungen oder in ähnlicher Weise verwendet werden, soweit nicht ausdrücklich gestattet. Zuwiderhandlungen verpflichten zu Schadenersatz. Alle Rechte für den Fall der Patentierung, Gebrauchsmuster- oder Geschmacksmodellurteilung sind vorbehalten.

Confid. - the secret of enterprises. Tous droits réservés. - confid. - Compañía como secreto empresarial. Reservados todos los derechos. - Confidado como secreto de empresa. Nos reservamos todos los derechos.



- ① Tolerances according to NEMA std.
- ② All these dimensions corresponding to assemblies and castings shall have a tolerance as per DIN standard 1686-GTB 19.
- ③ Not according to NEMA std.



Technische Änderungen vorbehalten!
Technical data are subject to change!

Tolerance	Surface	Material	Weight	Scale
1LE2221-2CB11-6AA3	Author Creator Approval Department Change Order	Dimensional drawing Ma zeichnung	-	mm
-	DTK			
	Doc. Date Revision	MFB Item No Doc No	Doc Type	Paper Size
	9/6/23 Index RS			A3
				1st Language 2nd Language
				en de
© ABB	2023	Project No -	Ref No -	Sheet 1 of 1